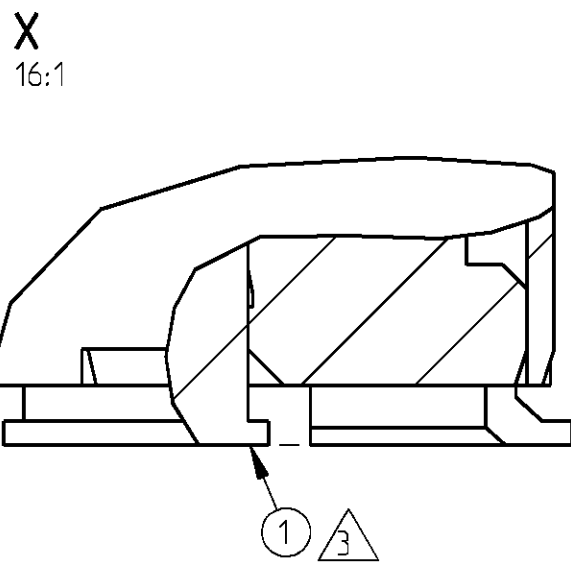
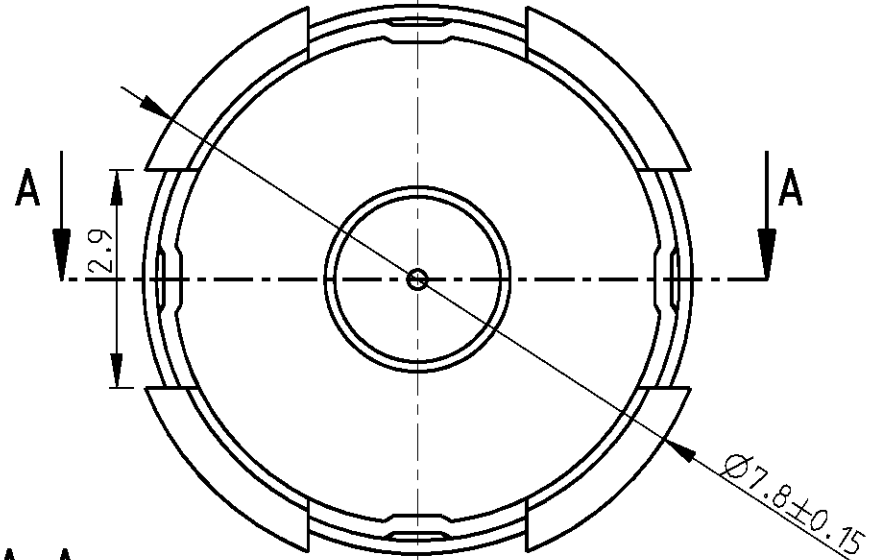
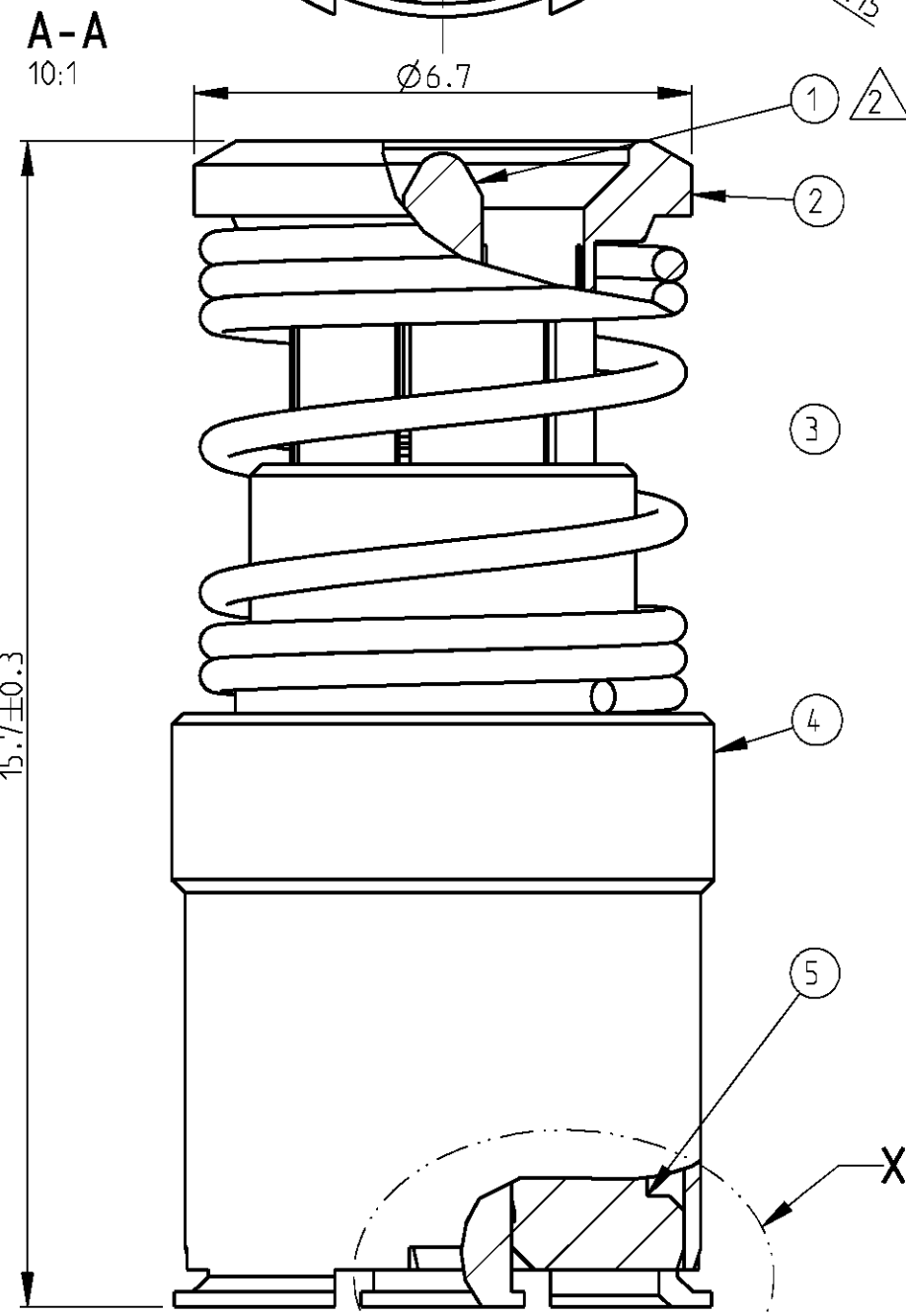
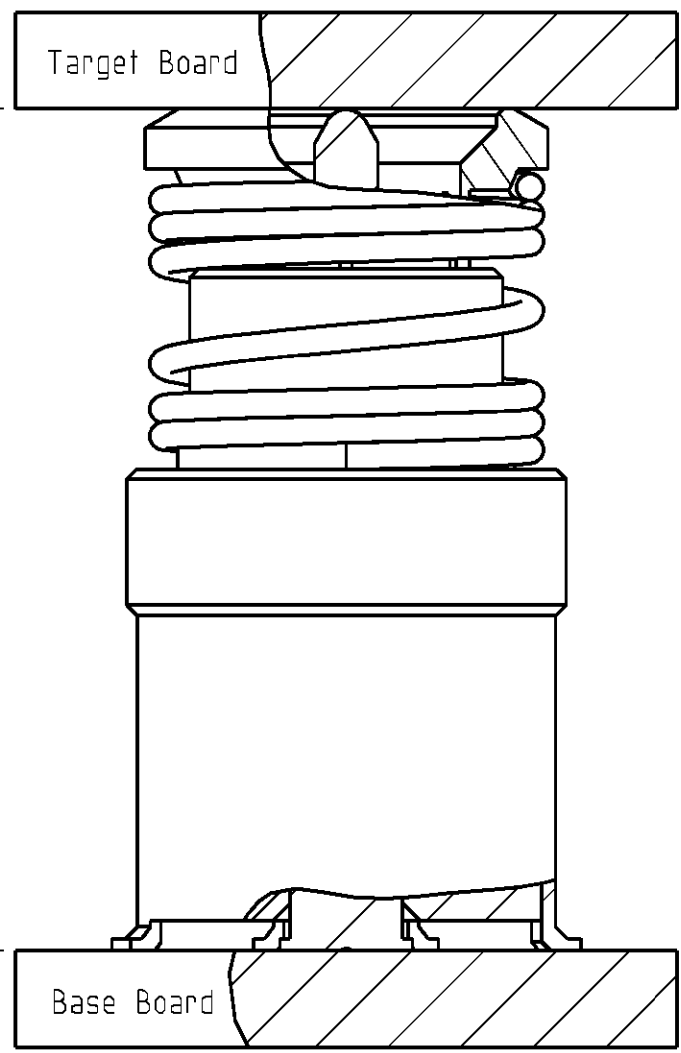


| LOC | DIST | REVISIONS | | | | |
|-----|------|-------------|---------------------|-----------|--------|--|
| P | LTR | DESCRIPTION | DATE | DWN | APVD | |
| GW | 00 | A2 | EC SR10 - 0112 - 04 | 22DEC2004 | RLU DB | |
| | | | | | | |
| | | | | | | |



MATED BETWEEN BOARDS



$\triangle 1$
 + ↑ REFERENCE PLANE
 0: -0.06
 - ↓
 $\triangle 3$

| | | | | | |
|--|--|-------------------------------|---------------------------|--|--------------------|
| <small>THIS DRAWING IS A CONTROLLED DOCUMENT FOR TYCO ELECTRONICS CORPORATION. IT IS SUBJECT TO CHANGE AND THE CONTROLLING ENGINEERING ORGANIZATION SHOULD BE CONTACTED FOR THE LATEST REVISION.</small> | | DWN S. Kempter 22JUL02 | | Tyco Electronics Oostkamp - Belgium | |
| DIMENSIONS: mm | | CHK B. Rithener 22JUL02 | | NAME BOARD-TO-BOARD CONNECTOR 14 MM HEIGHT | |
| TOLERANCES UNLESS OTHERWISE SPECIFIED: 0 PLC ±0.2 1 PLC ±0.2 2 PLC ±0.1 3 PLC ± 4 PLC ± ANGLES ±2° | | APVD - | PRODUCT SPEC 108-71060 | SIZE A3 | CAGE CODE 00779 |
| MATERIAL - | | FINISH - | APPLICATION SPEC - | DRAWING NO C-619127 | RESTRICTED TO - |
| CUSTOMER DRAWING | | | WEIGHT - | SCALE 8:1 | SHEET 1 OF 3 |
| | | | | REV A2 | |

LOC DIST
GW 00

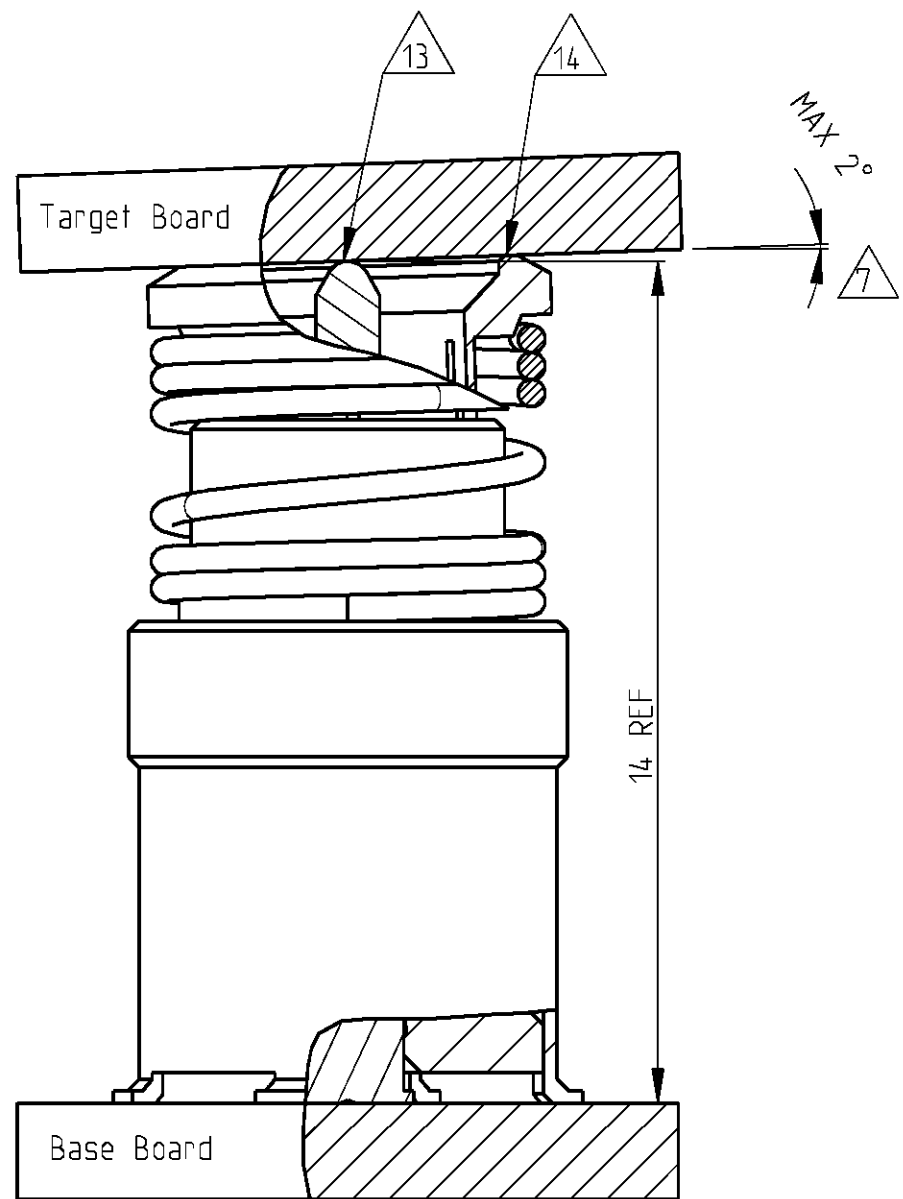
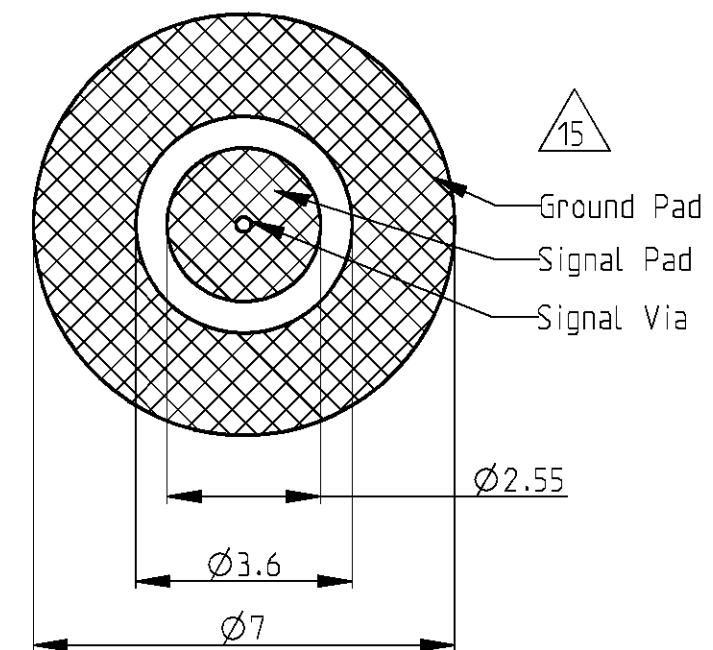
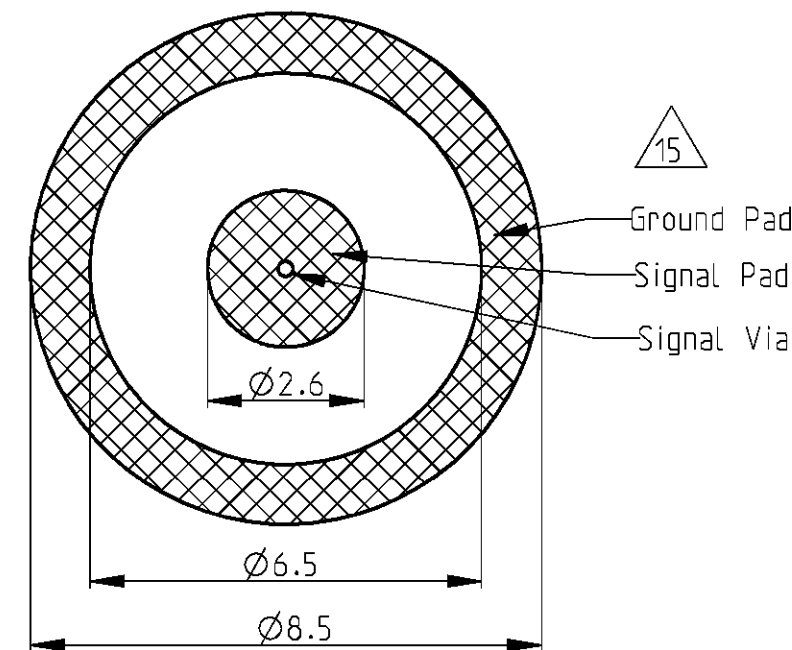
REVISIONS

| P | LTR | DESCRIPTION | DATE | DWN | APVD |
|---|-----|-------------|------|-----|------|
| - | - | see sheet 1 | - | - | - |

- 1 POSITION OF CENTER CONTACT
- 2 PLATING 0.15 μm Au OVER NiP
- 3 PLATING 0.3 μm Au OVER NiP,
- 4 1 CONNECTOR PACKED IN PLASTIC BAG
- 5 DISTANCE BETWEEN PRINTED CIRCUIT BOARDS
- 6 MISALIGNMENT BETWEEN CONNECTOR AXIS AND TARGET LAYOUT ON TARGET BOARD: MAX 0.8 mm
- 7 ANGLE BETWEEN PRINTED CIRCUIT BOARDS

8 RECOMMENDED LAYOUT ON BASE BOARD

9 RECOMMENDED TARGET LAYOUT ON TARGET BOARD

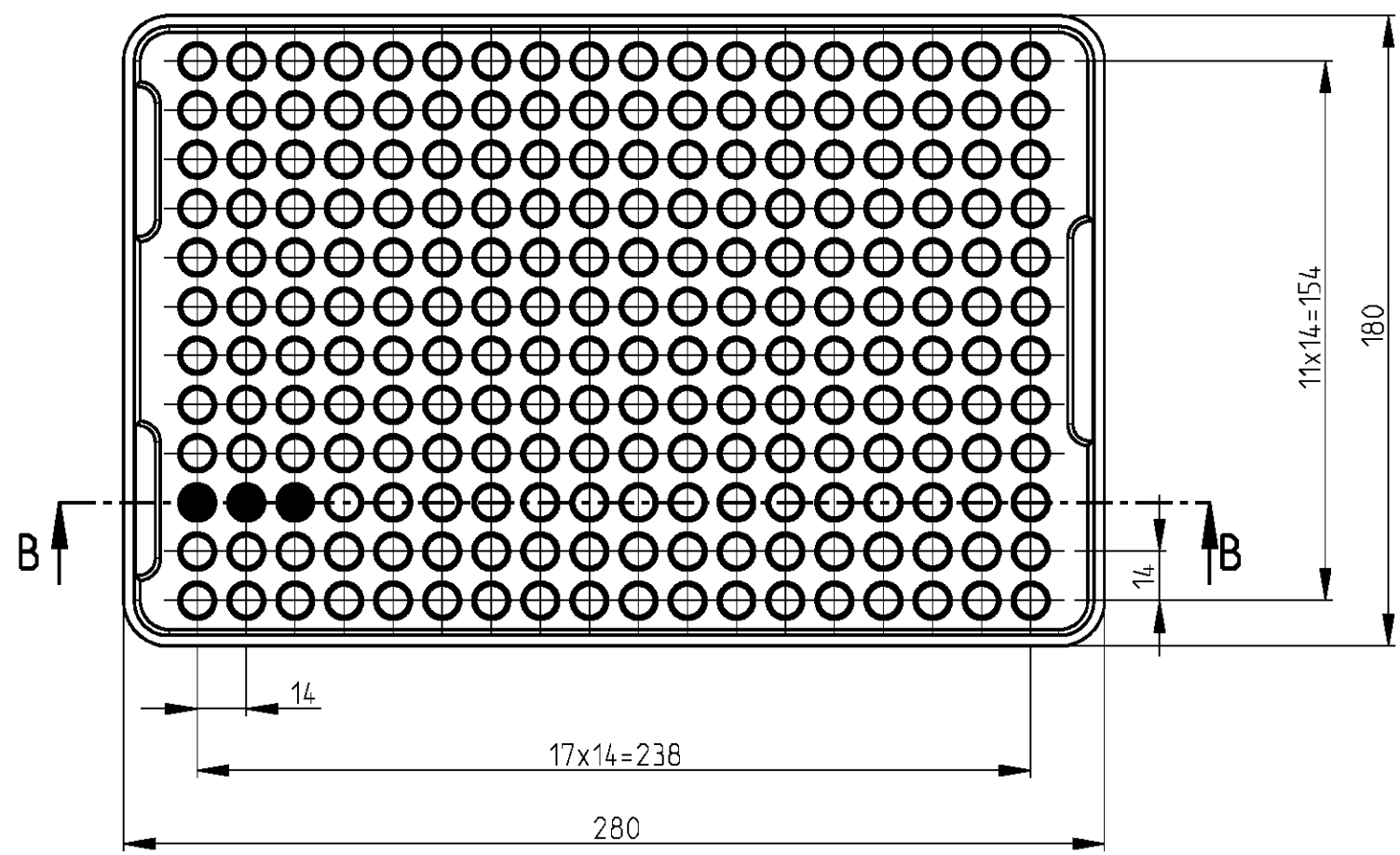
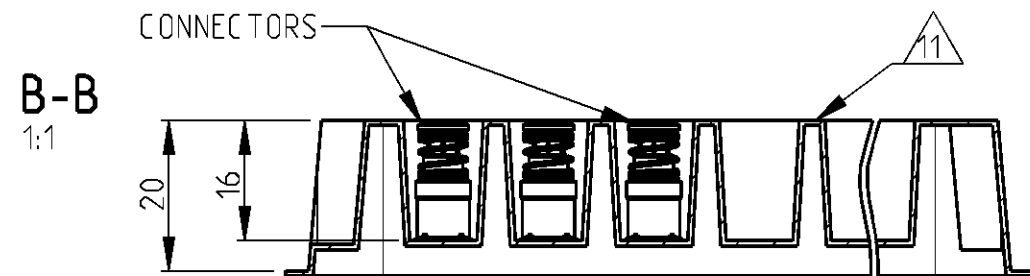


| | | | | | |
|------|----|----------|-------------------------|-----------------------|---------|
| 1 | 1 | 5 | DIELECTRIC | PCT / PEEK | |
| 1 | 1 | 4 | OUTER SHELL | CuZn | 2 |
| 1 | 1 | 3 | SPRING | STAINLESS STEEL | |
| 1 | 1 | 2 | CONTACT RING | CuSn | 2 |
| 1 | 1 | 1 | CENTER CONTACT ASSEMBLY | CuZn, STAINLESS STEEL | 2 3 |
| 5--1 | -1 | ITEM | DESCRIPTION | MATERIAL | PLATING |
| 10 | 4 | ORDER N° | ORDER N° | | |

| | | | |
|--|--|---|---|
| <small>THIS DRAWING IS A CONTROLLED DOCUMENT FOR TYCO ELECTRONICS CORPORATION. IT IS SUBJECT TO CHANGE AND THE CONTROLLING ENGINEERING ORGANIZATION SHOULD BE CONTACTED FOR THE LATEST REVISION.</small> | | DWN S. Kempter 22JUL02 CHK B. Rithener 22JUL02 APVD - PRODUCT SPEC 108-71060 APPLICATION SPEC - WEIGHT - | tyco Electronics Tyco Electronics Oostkamp - Belgium |
| DIMENSIONS: mm | | NAME BOARD-TO-BOARD CONNECTOR 14 MM HEIGHT | |
| TOLERANCES UNLESS OTHERWISE SPECIFIED: 0 PLC ±0.05 1 PLC ±0.05 2 PLC ±0.05 3 PLC ± 4 PLC ± ANGLES ±2° | | SIZE A3 CAGE CODE 00779 DRAWING NO C-619127 | RESTRICTED TO - |
| MATERIAL - FINISH - | | CUSTOMER DRAWING SCALE 8:1 SHEET 2 OF 3 REV A2 | |

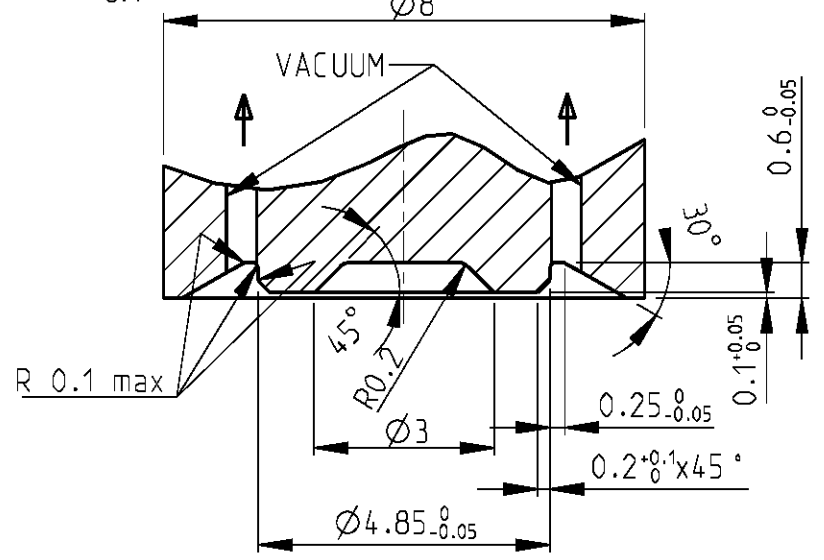
THIS DRAWING IS UNPUBLISHED. RELEASED FOR PUBLICATION AUG. 2001
 © COPYRIGHT 2001 BY TYCO ELECTRONICS CORPORATION, ALL RIGHTS RESERVED.

| LOC | DIST | REVISIONS | | | |
|-----|------|---------------|------|-----|------|
| P | LTR | DESCRIPTION | DATE | DWN | APVD |
| GW | 00 | - see sheet 1 | - | - | - |

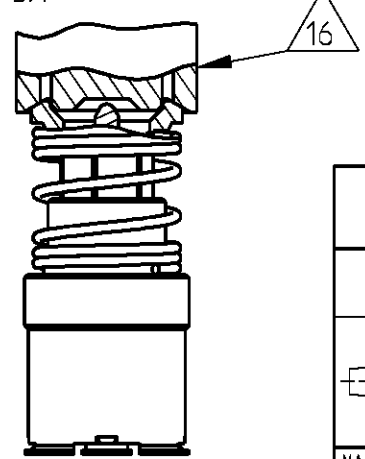


- △10 PACKAGING:
 -216 CONNECTORS PER TRAY
 -10 TRAYS PER SHIPPING BOX
 -SHIPPING BOX DIMENSIONS (LxBxH): 287x187x200
- △11 ANTISTATIC MATERIAL
- 12 - ALTERNATIVE PACKAGING IN TAPE AND REEL
- △13 CONTACT FORCE FOR CENTER CONDUCTOR:
 F MAX. = 2.8 N (Total length compressed at 13 mm)
- △14 CONTACT FORCE FOR CONTACT RING:
 F MAX. = 5.3 N (Total length compressed at 13 mm)
- △15 RECOMENDED PCB CHARACTERISTICS :
 - PLATING Au, SURFACE ROUGHNESS Rz4 MAX.
 - PCB MATERIAL FR4
 - PCB THICKNESS MIN. 0.8 mm
- △16 RECOMENDED NOZZLE DESIGN

NOZZLE DETAIL 8:1



NOZZLE DETAIL 3:1



| | | | | | |
|---|--|---|--|---|--|
| <small>THIS DRAWING IS A CONTROLLED DOCUMENT FOR TYCO ELECTRONICS CORPORATION IT IS SUBJECT TO CHANGE AND THE CONTROLLING ENGINEERING ORGANIZATION SHOULD BE CONTACTED FOR THE LATEST REVISION.</small> | | DWN S. Kempter 22JUL02 CHK B. Rithener 22JUL02 APVD - PRODUCT SPEC 108-71060 APPLICATION SPEC - WEIGHT - MATERIAL - | | tyco Tyco Electronics Electronics Oostkamp - Belgium NAME BOARD-TO-BOARD CONNECTOR 14 MM HEIGHT SIZE A3 CAGE CODE 00779 DRAWING NO C-619127 RESTRICTED TO - | |
| DIMENSIONS: mm | | TOLERANCES UNLESS OTHERWISE SPECIFIED: 0 PLC ±0.05 1 PLC ±0.05 2 PLC ±0.05 3 PLC ± 4 PLC ± ANGLES ±2° FINISH - | | CUSTOMER DRAWING SCALE - SHEET 3 OF 3 REV A2 | |